

## **EXECUTIVE SUMMARY**

I hold a degree in Electrical Engineering from the Technological Educational Institute (T.E.I.), specializing as a Technological Education Electrical Engineer (T.E.). During my academic studies and professional career, I have gained extensive experience across diverse fields, undertaking roles that involved designing, constructing, installing, and maintaining various systems and products. From selling and repairing electronic devices to installing telephone centers and electrical systems, I have developed a comprehensive skill set and valuable expertise.

Especially, I have been involved in:

- Server Management and Cloud Applications: Proficient in managing servers, handling databases, and overseeing Cloud-based applications.
- Network Construction and Management: Skilled in building and maintaining LAN networks, connecting remote points via VPN, and working with Firewalls, VLANs, and WiFi networks.
- Structured Cabling and Rack Assembly: Experienced in assembling server racks and terminating structured cabling systems.
- Computer Hardware and Software Assembly: Competent in assembling computers at both hardware and software levels.
- Website Development and Video Editing: Successfully developed websites and edited videos (e.g., <https://autonavis.com>).
- Maintenance and Repair: Skilled in maintaining and repairing printing equipment, power supplies, and circuit boards.
- Customized Applications: Created tailored applications in C programming language to meet specific client needs.
- Telecommunication Systems: Designed and managed telecommunication systems, including installation and maintenance.
- Low-Voltage Systems: Expertise in constructing and managing alarm systems, surveillance cameras, and access control systems.
- PLC Programming and HMI Configuration: Proficient in PLC programming and configuring HMI screens.
- Schematic & PCB Design: Skilled in designing schematics and printed circuit boards (PCBs) using Altium Designer.
- Multiplexing Systems and Network Structures: Managed multiplexing systems and modified network configurations for Siemens, Alcatel, and Marconi systems.

Further details about my experience in these areas are in the accompanying CV. Additionally, the document includes indicative photographs of the projects I have successfully completed.

PERSONAL  
INFORMATION**Alchazidis Evangelos**

📍 Naupliou 18 Sykies, Thessaloniki, 56626, Greece

☎ 2315536508 📠 6974346300

✉ evangelos.alchazidis@gmail.com

🌐 evangelos.alchazidis

Marital Status Married | Gender Male | Date of birth 13/11/1984

PROFESSIONAL  
EXPERIENCE

9/2015 – Present Telecommunication Systems Technician

Technician at an authorized Panasonic installation and service center specializing in telecommunication systems.

**➤ Responsibilities – Installation:**

- Telephone Systems Setup: Installation of Panasonic, Grandstream, and Yeastar telephone systems.
- Cloud and Hybrid PBX Management: Configuration and management of Cloud-based and hybrid telephone systems.
- Server and Database Administration: Managing servers, databases, and specialized call recording and monitoring applications for high demand call centers.
- PBX Programming and Custom Applications: Programming PBX systems and developing custom Linux Server applications with database integration to meet client-specific needs.
- Device Installation: Installing simple, digital, and SIP (Session Initiation Protocol) telephony devices, both local and remote.
- PBX Interconnection: Establishing connections between two or more PBX systems via the Internet.
- Router Installation and VPN Creation: Setting up routers and configuring VPNs (Virtual Private Networks) using both LAN-to-LAN and point-to-point connections.

**➤ Responsibilities – Service and Repairs:**

- Telephone Device Repairs: Repairing wired and wireless telephony devices.
- PBX Repairs: Diagnosing and repairing telephone systems and PBX units.
- Extension Card Repairs: Servicing and repairing PBX expansion cards.
- Printer Repairs: Maintaining and repairing printing equipment.

## 12/2014 - 03/2015 Salesperson and Service Technician

Sales and service technician at the EyePhone store in Thessaloniki, specializing in mobile phones and technology products.

➤ **Service Responsibilities:**

- Device Repairs: Repaired smartphones, tablets, laptops, and desktop computers.
- Component Replacement: Replaced digitizers, screens, speakers, microphones, flex cables, and batteries, and performed software upgrades for all major mobile phone and tablet brands.
- Laptop Repairs: Repaired broken laptop screens and replaced hard drives, keyboards, DVD-ROM drives, power jacks, and headphone jacks.
- System Maintenance: Conducted software upgrades, formatting, and file backups for laptops and desktop computers.

➤ **Sales Responsibilities:**

- Accessory Sales: Sale of mobile phone accessories, including phone cases, tablet cases, and screen protectors.
- Gadget Sales: Sale of various technology gadgets.
- Mobile Phone Sales: Sale of new and used mobile phones

## 09/2003 - 03/2014 Electrical Installations for Buildings and Commercial Spaces

➤ **High Voltage Responsibilities:**

- Electrical Panel Construction: Built single-phase and three-phase electrical panels, installed conduits, and laid electrical wiring.
- Automation Panel Construction: Developed automation panels for applications such as water well pumps, automatic generator transfer switches, and protection systems for three-phase motors.
- PLC Installation and Programming: Installed and programmed PLCs for various applications, enabling remote control via computer or mobile devices using VNC (Virtual Network Computing).
- Grounding Systems: Installed grounding and foundational grounding systems.
- Renewable Energy Systems: Constructed photovoltaic parks, both grid-connected and standalone, as well as small wind turbines, primarily for country houses and caravans.

➤ **Low Voltage Responsibilities:**

- LAN Network Installation: LAN network installation with wired and wireless connectivity.
- Alarm System Installation: Honeywell and Paradox alarm systems installation.
- Intercom Systems: Intercom and video intercom systems installation.
- Surveillance Systems: Surveillance systems installation, including cameras and recording devices.

04/2007 - 09/2007 OTE A.E.

*OTE Long-Distance Installations Complex in Thessaloniki - Transmission Department of the Northern Greece Network Management Complex.*

➤ **Responsibilities:**

- **Digital Transmission Systems:** Worked with SDH-DWDM (Synchronous Digital Hierarchy - Dense Wavelength Division Multiplexing) digital transmission systems.
- **Voice and Data Transmission Systems:** Handled digital transmission systems for 64 Kbps voice and data channels.
- **Cross Connect Technology:** Managed cross-connect technology at the 64 Kbps channel level, as well as at 2 Mbps, 34 Mbps, and 155 Mbps levels.
- **Network Monitoring and Issue Resolution:** Supervised and resolved potential issues in OTE's urban and long-distance optical networks.
- **Multiplexing System Management:** Administered multiplexing systems, including modifying network structures (e.g., routing new circuits, decommissioning old ones, etc.) using appropriate applications.

## LICENSES

---

- Class B Electrical Engineer License
- Combustion Systems Installer License
- Mechanical Installation Foreman License
- Class B Master Gas Welder License
- Class B Master Electric Welder License
- Refrigeration Foreman License

## EDUCATION AND TRAINING

---

Graduate Technological Educational Institute (T.E.I.) of Lamia – Department of Electrical Engineering

- **Specialization:** Technological Education Electrical Engineer (T.E.)
- **Degree Grade:** 6.81
- **Thesis Grade:** 10.0
- **Thesis Title:** Grounding and Installation Protection
- **Thesis Research Areas:**

The objective of my thesis was to develop a comprehensive advisory guide on the grounding and protection of electrical installations, combining theoretical insights and practical methodologies.

The study focuses on analyzing and applying grounding techniques, lightning protection systems, and electrical shock prevention measures, specifically in medium- and low-voltage installations.

In the grounding section, the thesis provides an in-depth exploration of artificial and foundational grounding construction methods. It also includes a meticulous description of the verification processes for proper installation,

utilizing specialized measuring instruments such as earth testers, ohmmeters, voltmeters, and ammeters, as well as advanced techniques like the slope method and bridge measurement.

The lightning protection section delves into electrostatic and dynamic protection systems' design, construction, installation, and maintenance. These systems are critically analyzed to ensure optimal performance in safeguarding installations from lightning-induced hazards.

Lastly, the work delved into the protection against electrical shock, providing a detailed analysis of the operation and installation of residual current devices (RCDs). These devices were evaluated for their critical role in preventing electrical hazards and ensuring the safety of electrical installations.

Overall, the thesis thoroughly explored construction techniques, safety protocols, and verification processes, contributing to the development of

## PERSONAL SKILLS

---

### ➤ Computer Skills

Advanced computer proficiency.

Holder of the International Diploma in IT Skills Standard Level certificate.

### ➤ Languages

English: Intermediate level.

### ➤ Professional Skills

- Integration of the autonomous vehicle system ( GoCAV <https://autonavis.com>) with its accompanying data visualization platform for real-time monitoring.
- Design of electronic circuits using Altium Designer.
- Construction of electronic circuit boards.
- Programming development boards such as Arduino and Raspberry Pi
- Programming PLCs and HMI screens for GMTCNT systems.
- Mobile phone repairs.
- Creation and management of a remote Linux server, website development, video editing, database management, internet radio station setup, and Asterisk server deployment.
- Building installations, including installation and inspection of systems.
- Preparation of electrical designs for submission to the Hellenic Electricity Distribution Network Operator (HEDNO)



➤ Driving Licenses

- Motorcycle License: Category A.
- Car License: Category B.

➤ Military Service

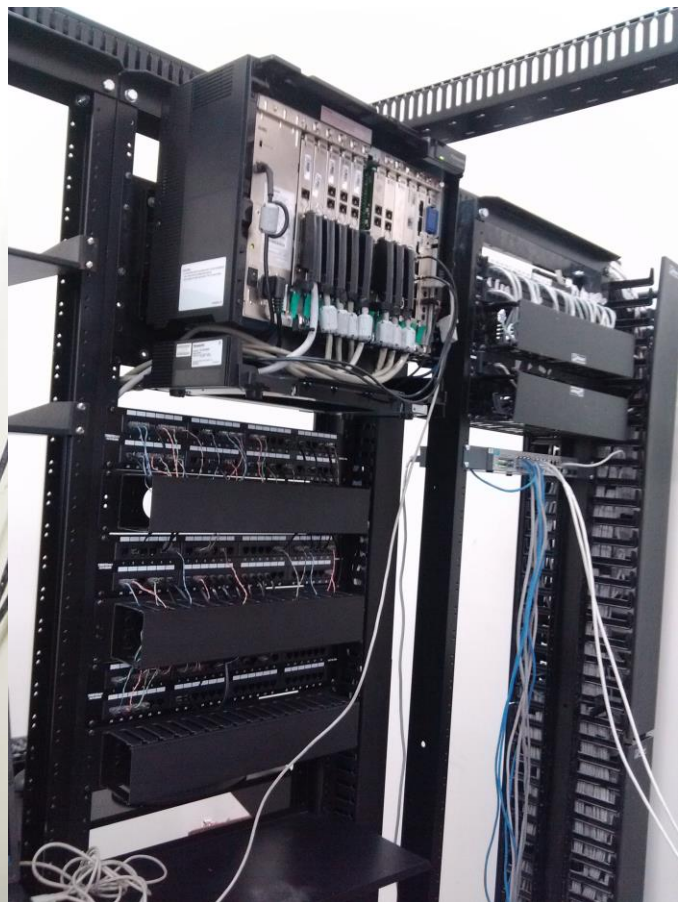
- Fulfilled military obligations as a reserve second lieutenant in the Hellenic Army.

## Photographic Material

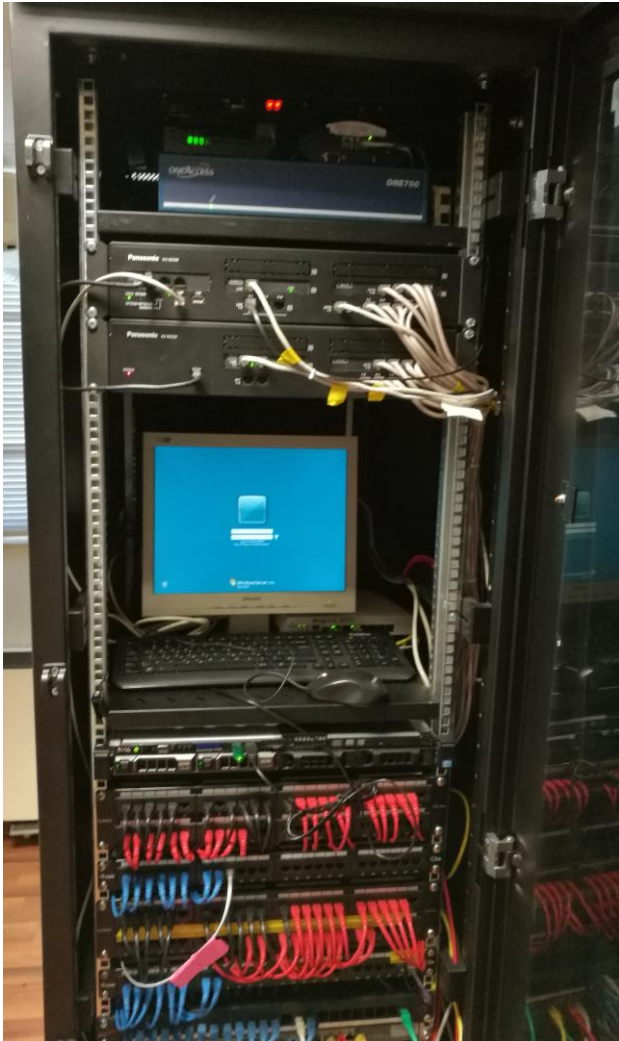
### Telephone Systems Technician



Local Interconnection of Telephone Systems



Telephone System Installation

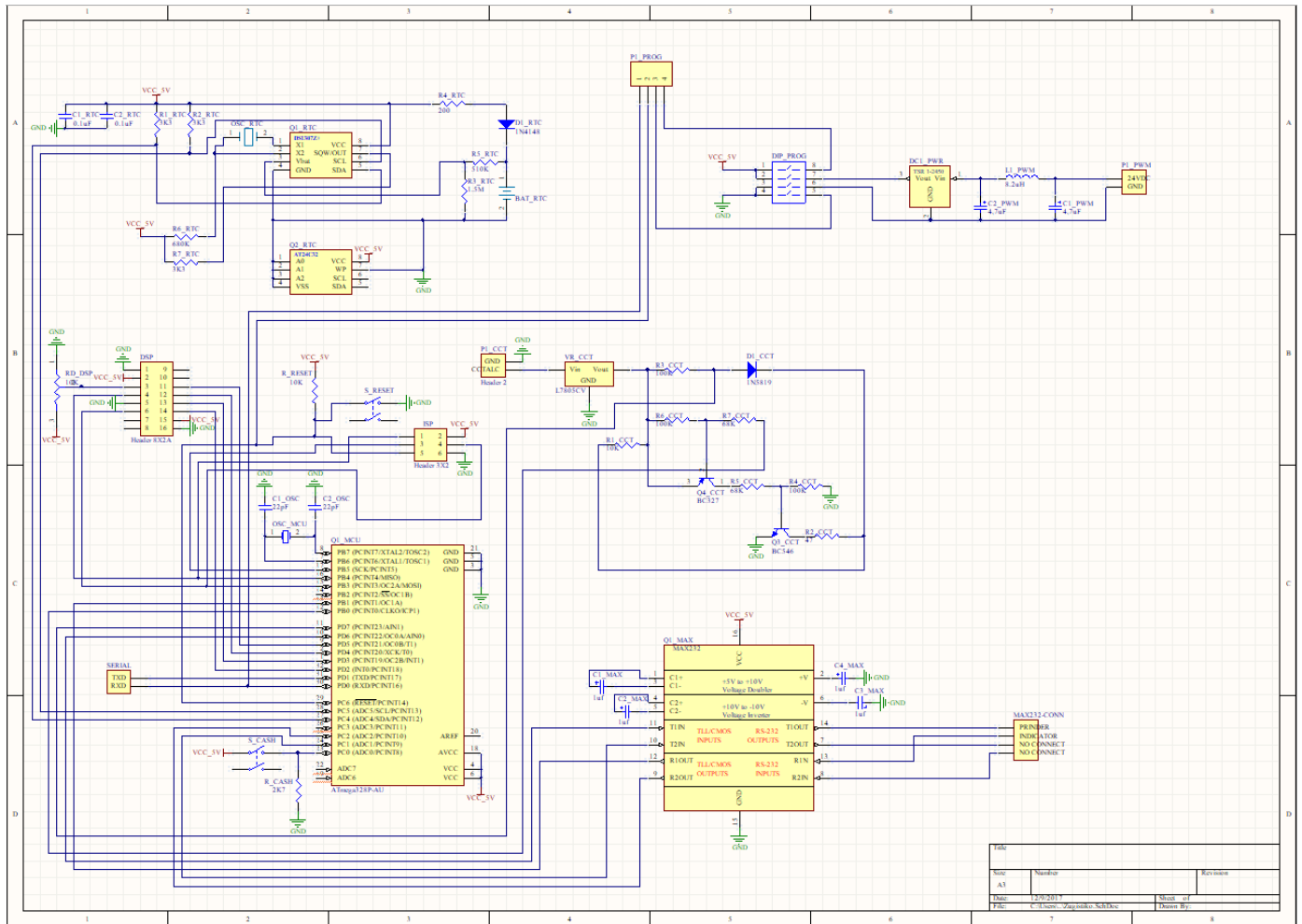


Panasonic KX-NS500 Installation

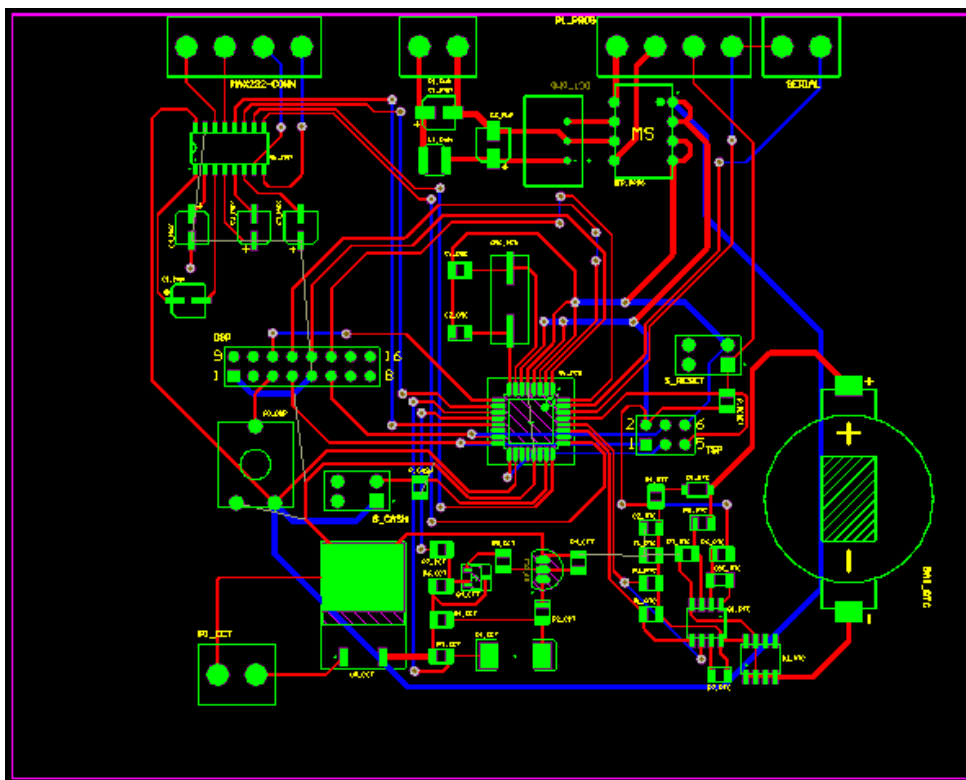


Panasonic KX-TDE600 Installation

Circuit Board Design with Altium Designer



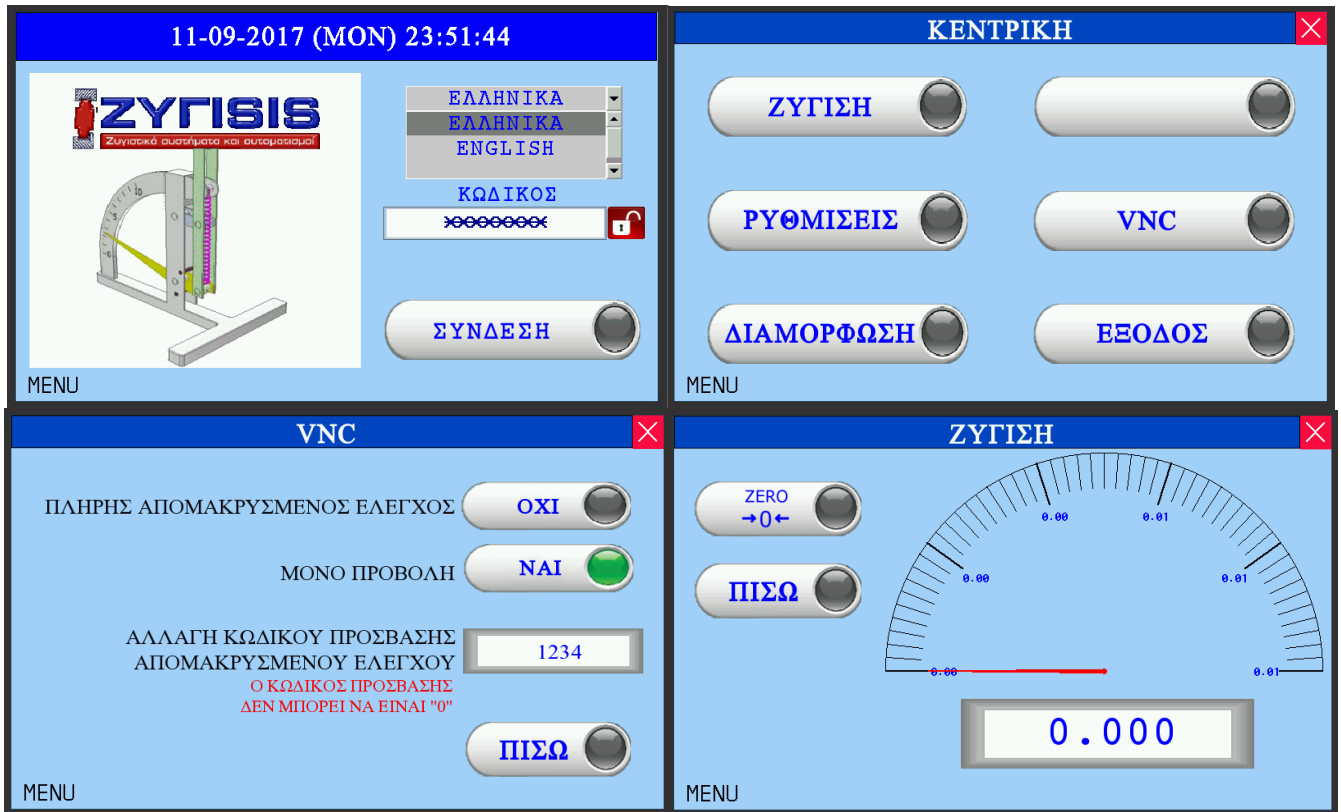
Schematic



Pcb



PLC Controlled with HMI Screen

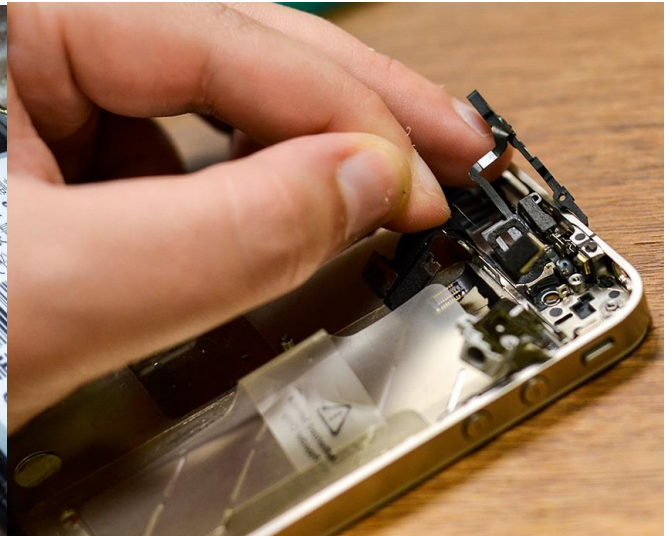


HMI Screen

Mobiles Service



Lenovo Repairment



Iphone Repairment

Electrical Installations



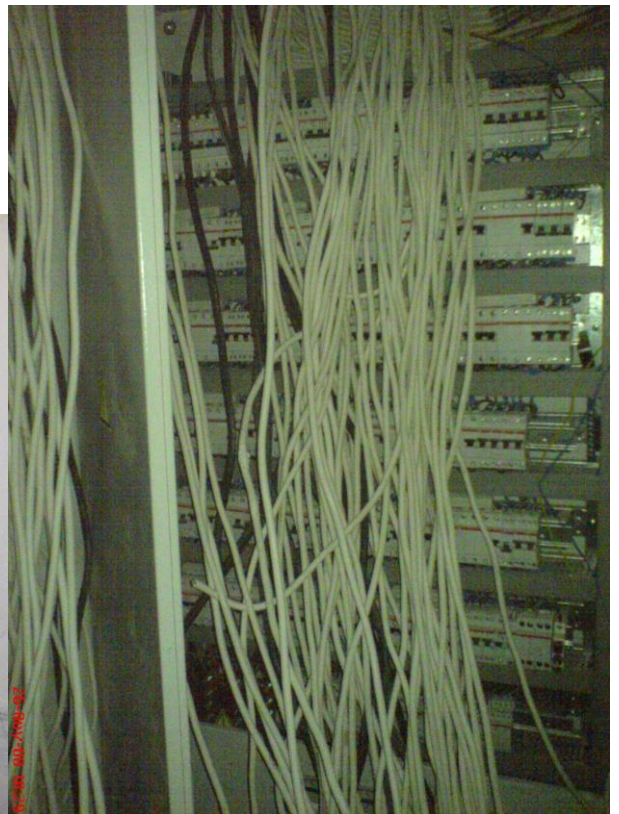
Apartment Installation



Electric Panel Building



Electric Panel Inspection



Panel at Leroy Merlin Thessaloniki

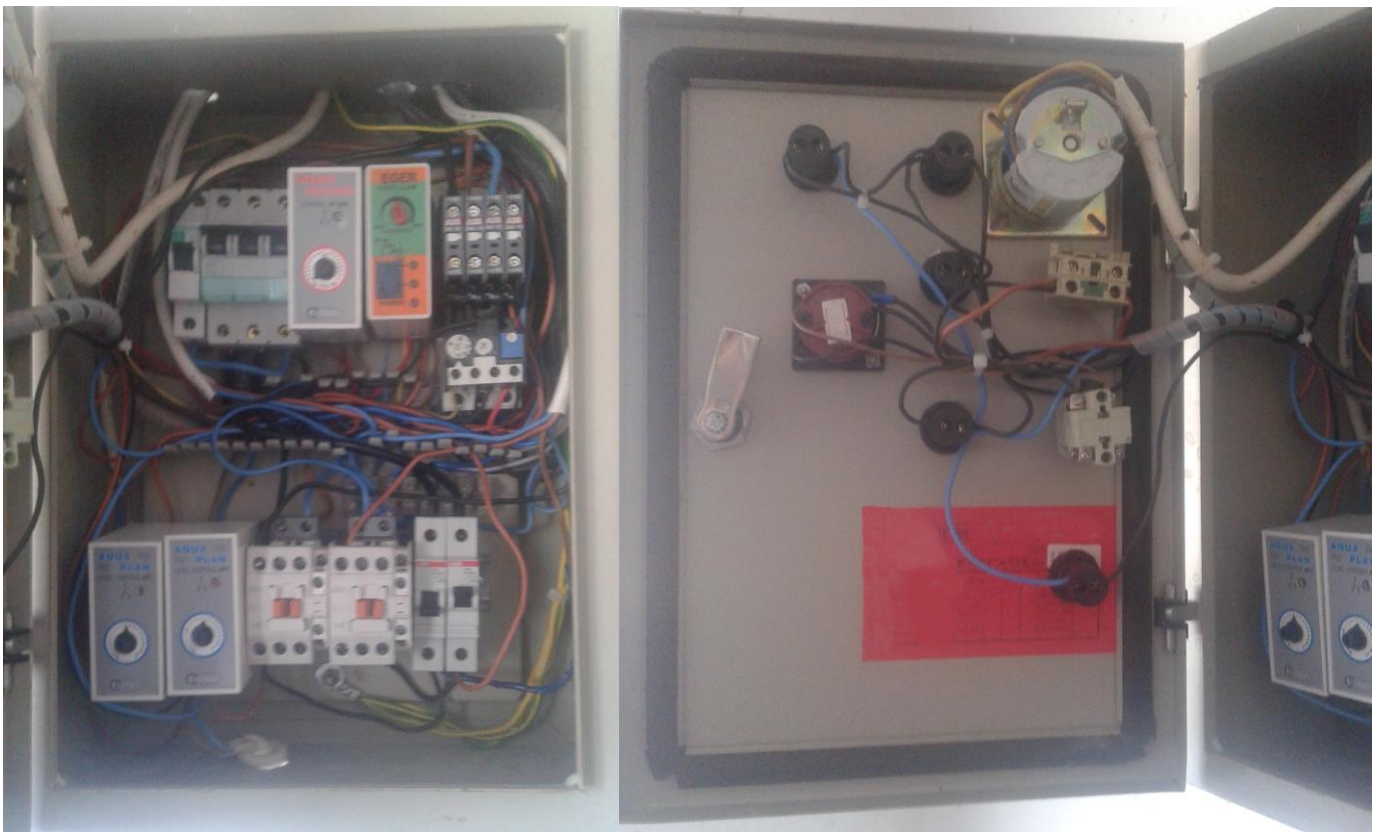




Photovoltaic Park in Arta



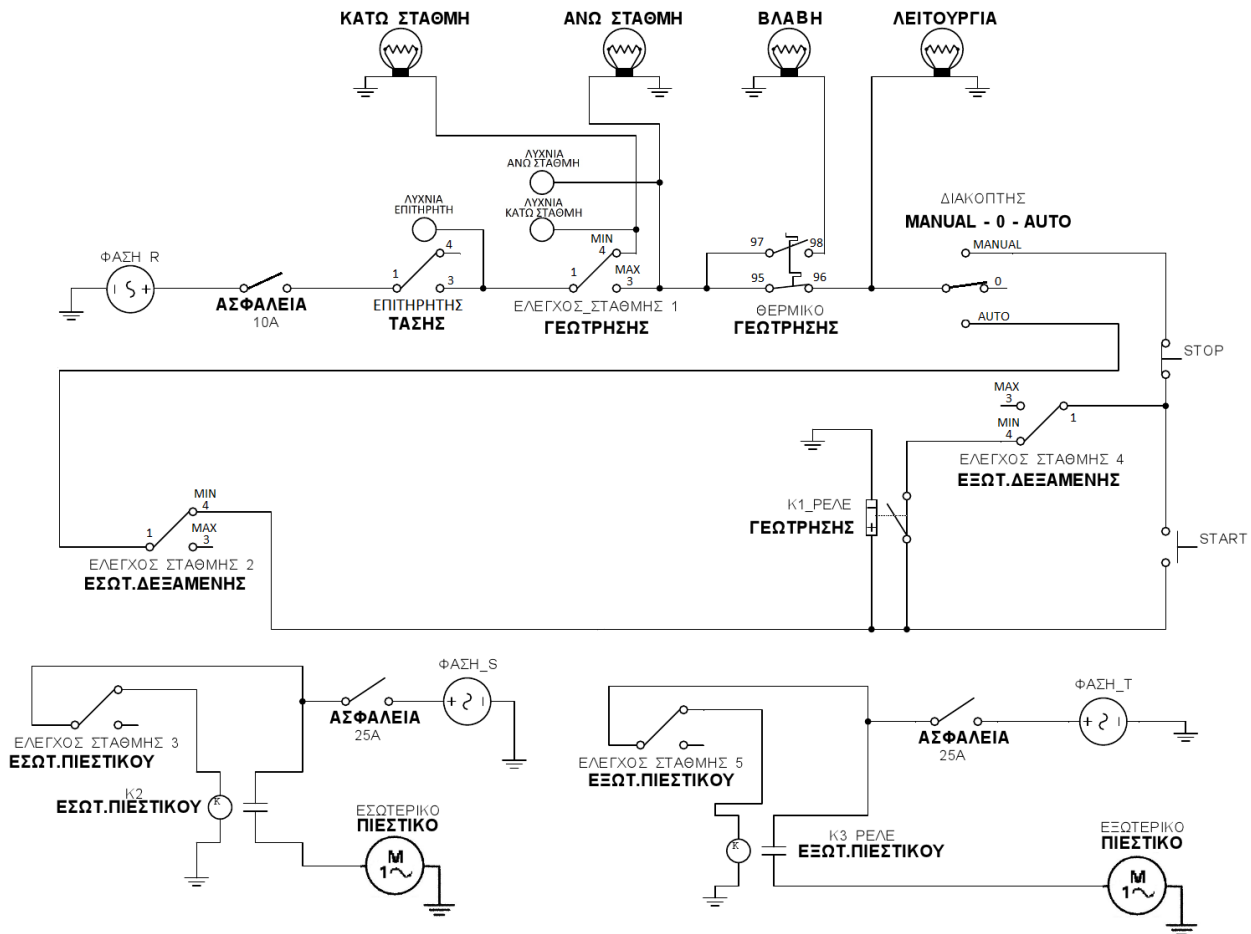
Paradox Alarm System



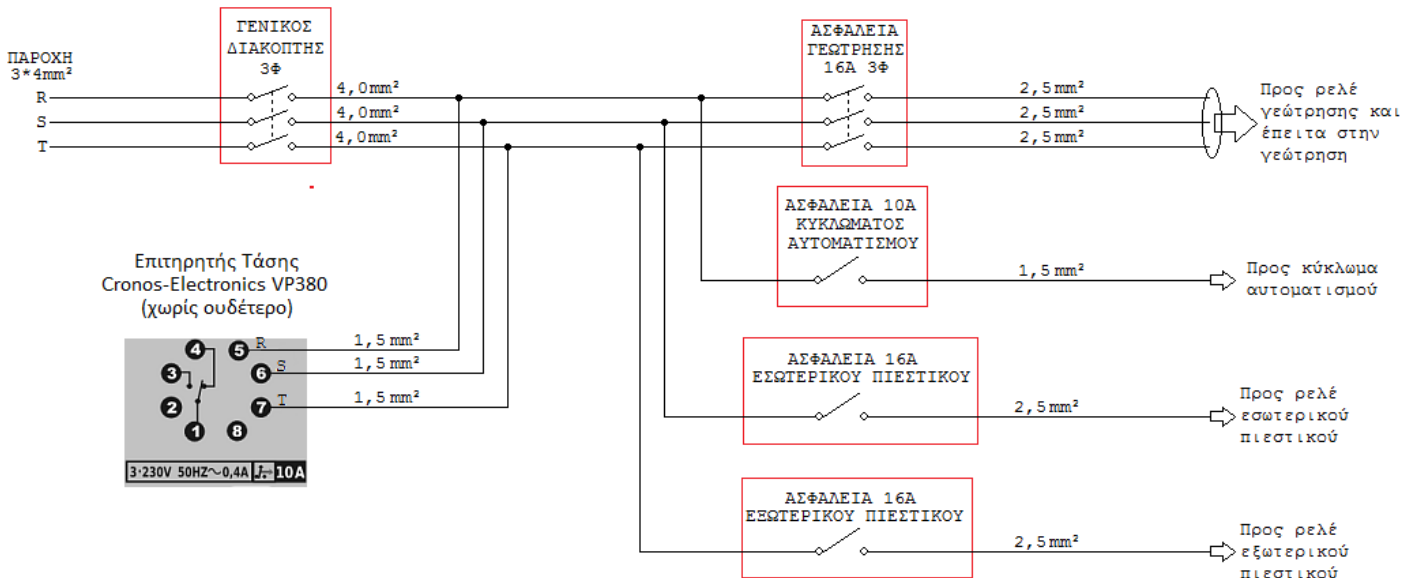
Construction of Automation Control Panel for Water Well Pump



Front Panel of Automatic Water Well Control Board



Construction of Automation Circuit for Water Well Pump



Construction of Power Circuit for Water Well Pump